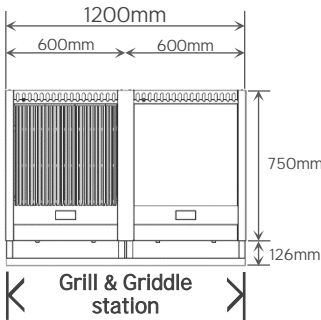




KITCHEN WORKS is registered trademark of Kitchen Works Co. Ltd.

Grill & Griddle Stations (GLGS) – Recommendation 2



List of item(s)

GTGL26	Countertop grill range
S6	S/S stand w/ bottom shelf
SP1	S/S grease stopper
GTG26	Countertop griddle range
S6	S/S stand w/ bottom shelf

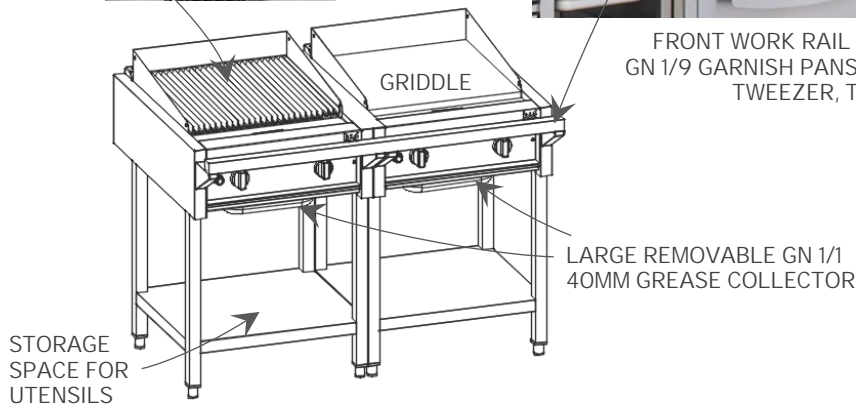
Optional Item(s)

SF-1200W	S/S front work rail
-----------------	---------------------

CERAMIC TUBES ARE USED FOR GRILL RANGE



FRONT WORK RAIL CAN HOLD GN 1/9 GARNISH PANS, COOKING TWEEZER, TOWEL ETC



Recommendations

- This combination is suitable for medium sized kitchen, serving fine dining dishes.
- Ceramic tubes are used in grill range instead of fire stone as they can shorten the pre-heat and cooling time thus energy saving. Low heat radiation also makes pleasant cooking environment.
- Front, side and adjustable legs of both ranges are made of AISI 304 stainless steel which make it extremely robust and durable.
- Front work rail is highly recommended to be added, especially using grill & griddle station, as optional item, if space is allowed. It can hold GN 1/9 garnish pans, cooking tweezer, towel etc, and use as an extended work surface to support cooking.

KWS/GLGSR2/20200

Copyright @ 2020 Kitchen Works Co. Ltd.