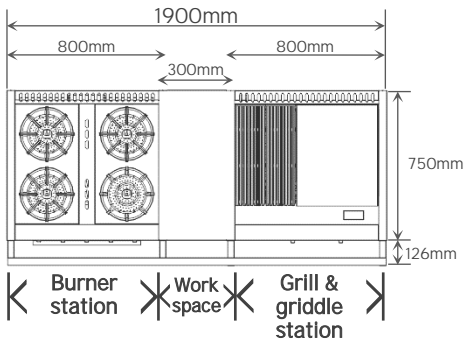




KITCHEN WORKS is registered trademark of Kitchen Works Co. Ltd.

# Burner + Grill & Griddle Stations (BGLGS) – Recommendation 1



List of item(s)

- GR40-GB** 4-burner range w/ oven
- SP3** S/S spreader unit w/ shelves
- GRGL/G27** Grill/griddle range

Optional Item(s)

- SF-1900W** S/S front working rail

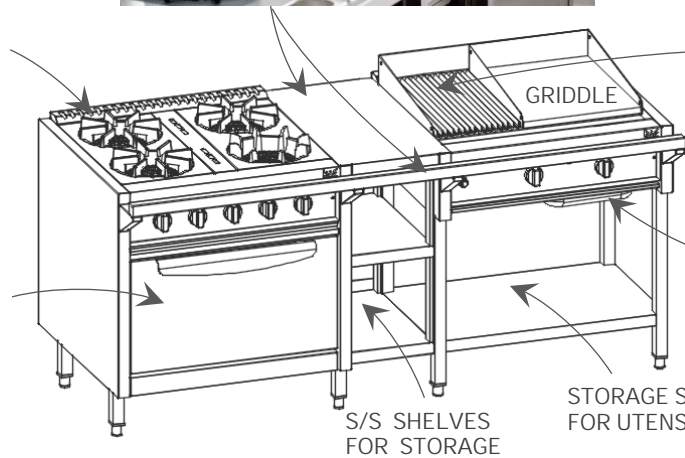


SPREADER TOP AND FRONT WORKING RAIL ARE USED TO EXTEND WORK SURFACE TO SUPPORT COOKING ON BOTH SIDES

10KW @ 2-RING BURNER COMES W/ FLAT TOP AND WOK GRADES THAT ARE INTERCHANGABLE



GN 2/1 GAS OVEN W/ TEMP. RANGE 150°C-290 °C.



CERAMIC TUBES ARE USED FOR GRILL RANGE

KWS'S NOTES

- This is the basic combination of burner and grill stations that suits for all kinds of small kitchen.
- Electric spark ignition to burner is more energy saving comparing with constant burning pilot light.
- Front, side and adjustable legs of both ranges are made of AISI 304 stainless steel which make it extremely robust and durable.
- Front work rail is highly recommended to be added as optional item, if space is allowed. It can hold GN 1/9 garnish pans, cooking tweezer, towel etc, and use as an extended work surface to support cooking.
- Backsplash can also be added as optional item. It allows 120 mm piping space between the wall and the back of cooking range for running E&M services, if necessary.

KWS/BGLGSR1/20200

Copyright © 2020 Kitchen Works Co. Ltd.